

## 90 Degree Hybrid, 2 to 4 GHz

### Hybrids Technical Data Sheet

**Q-0204**

#### Key Features

- Octave band.
- High isolation.
- Excellent return loss.
- Low unbalance.

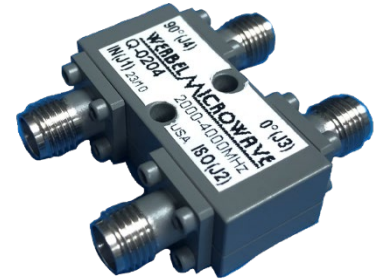


Photo is representative.

Specifications	Min.	Typ.	Max.	Units
Frequency	2,000		4,000	MHz
Impedance		50		Ohm
Phase Difference		90		Degrees
Total Loss <sup>1</sup> (J1-J3 and J1-J4)		3.2±0.5	±0.9	dB
Isolation	19	23		dB
Return Loss (all ports)	17	24		dB
Amplitude Balance (±)		0.3	0.6	dB
Phase Balance (±)		2.7	6.0	Degrees
Input Power (CW) <sup>2</sup>			50	Watts

#### Mechanical

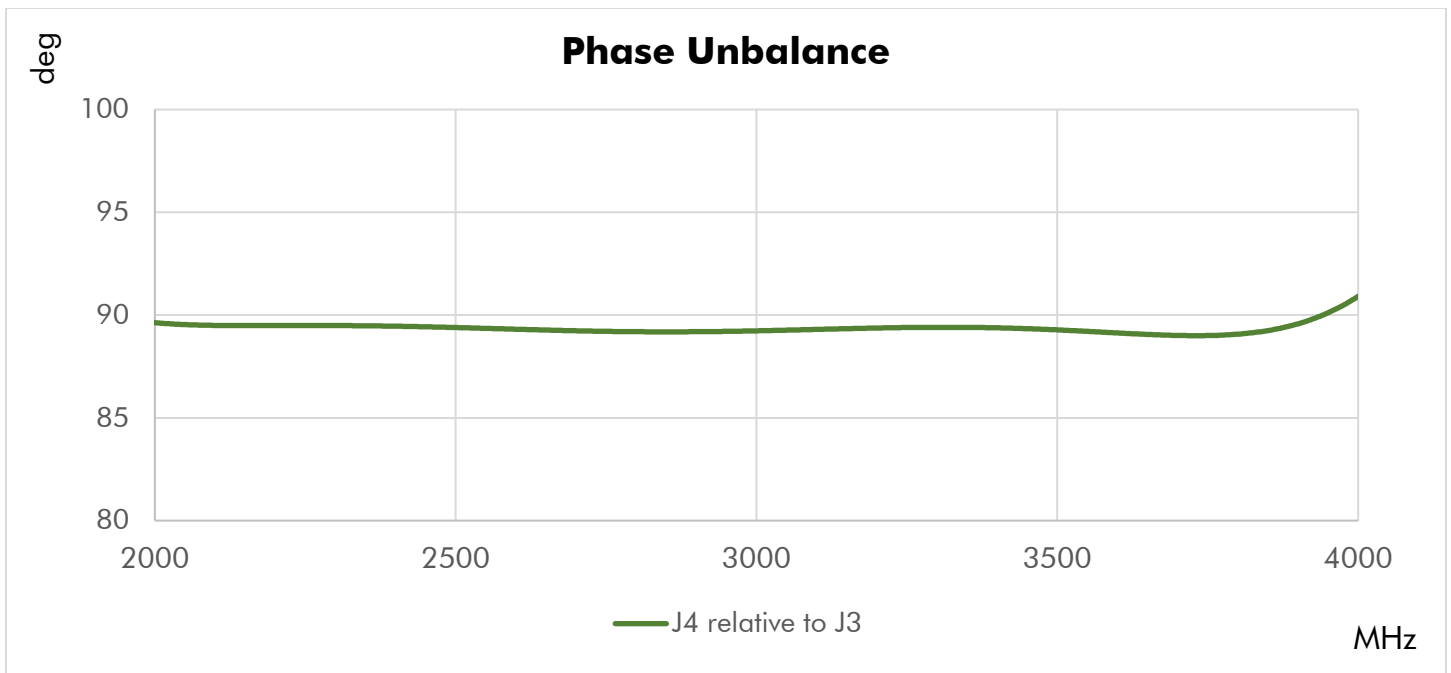
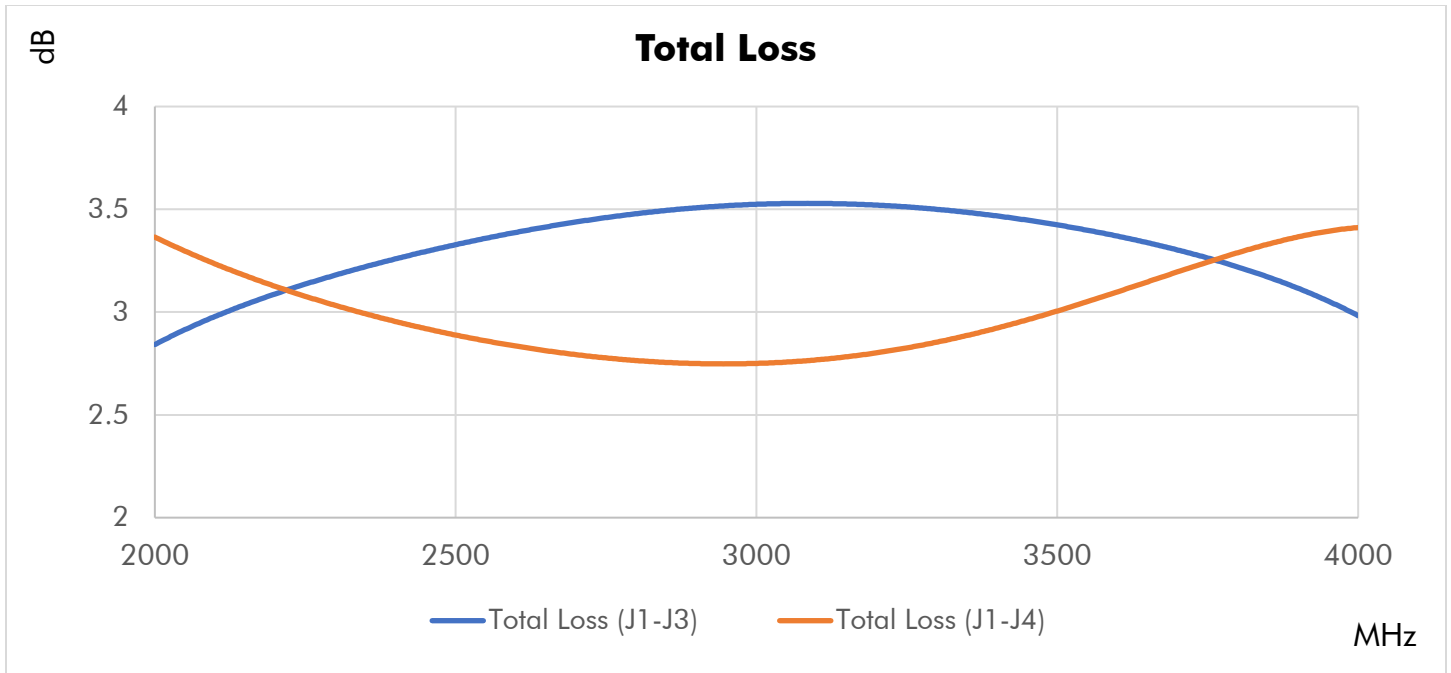
Connector Interface	SMA-Female
Operating Temperature <sup>3</sup>	-55 to +85 °C
Storage Temperature	-55 to +100 °C
Weight	0.6 oz (17.9 g)
Humidity	10-90% non-condensing
Environment	Indoor Use Only

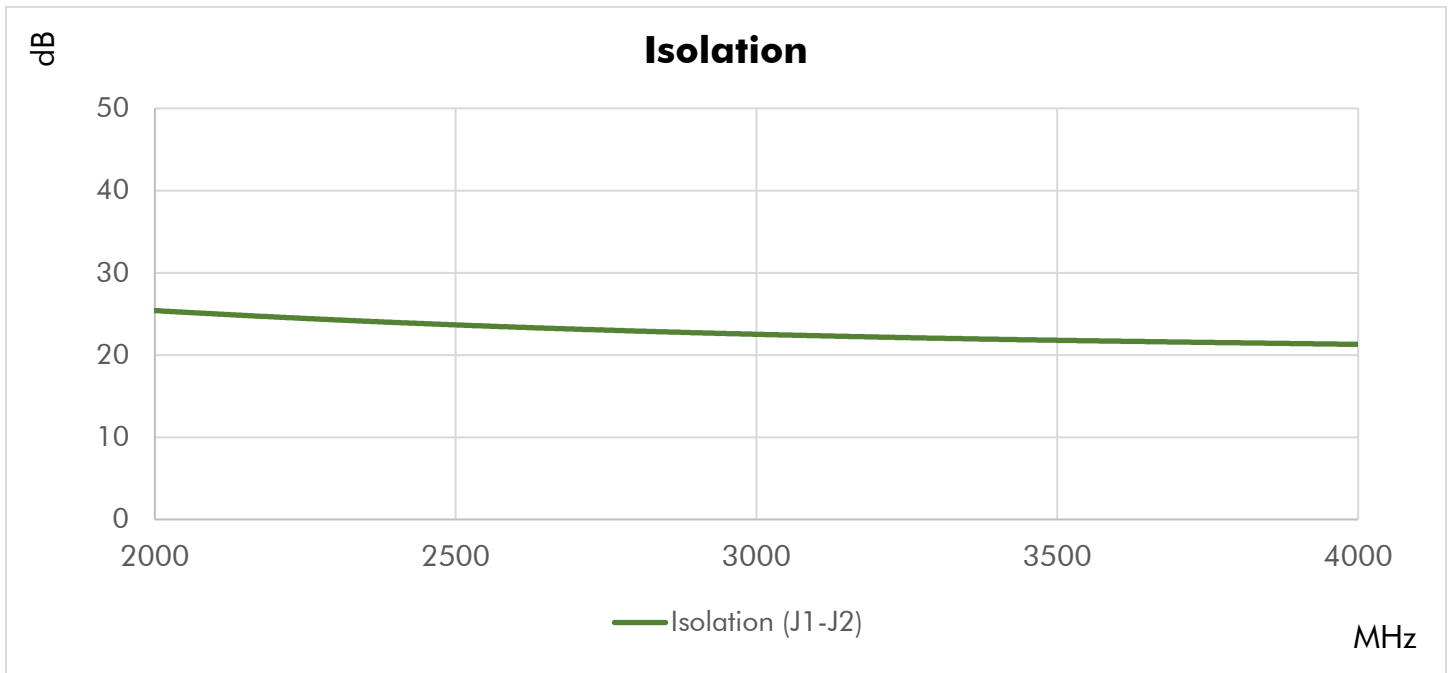
#### Materials

RoHS and REACH Compliant <sup>4</sup>	
Enclosure	Aluminum
Connectors	Stainless Steel
Contacts	Be Cu, Gold Plated
Insulators	PTFE
Finish	Gray Paint

1. Total Loss includes insertion loss and frequency sensitivity.
2. All output ports should be terminated in a 50-ohm load with 1.2:1 max VSWR.
3. Electrical specifications at +25 °C only.
4. To best of our knowledge at the time of publication.

## Typical Performance at +25 °C

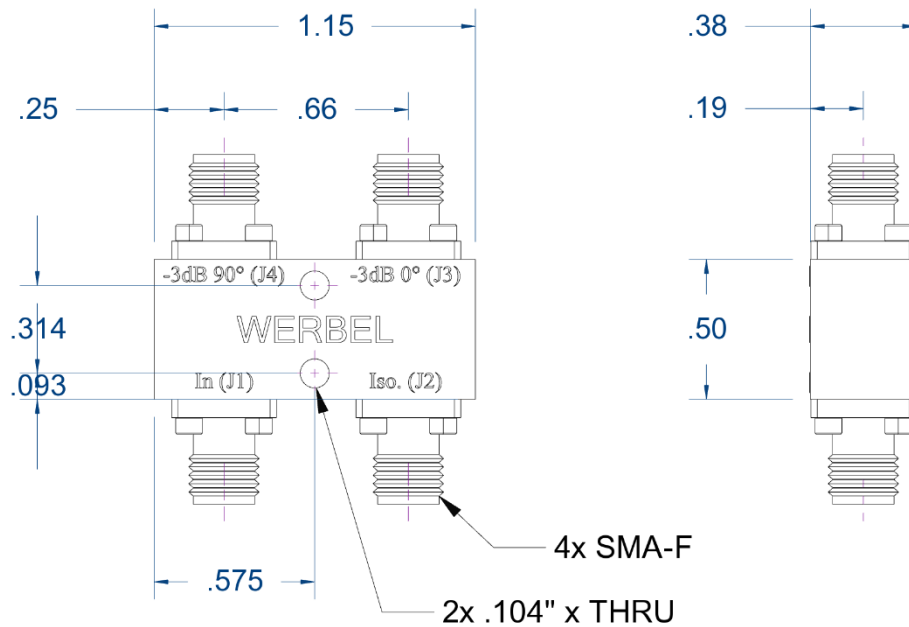




## Typical Performance at +25 °C

Frequency (MHz)	Insertion Loss (dB) J1-J3	Coupling (dB) J1-J4	Amplitude Unbalance (dB)	Phase Unbalance (deg)	Isolation (dB) J1-J2	Return Loss (dB) J1
2000	2.8	3.3	0.5	89.6	25.4	25.3
2100	3.0	3.2	0.2	89.7	25.0	26.1
2200	3.1	3.2	0.0	89.3	24.7	25.5
2300	3.2	3.0	0.2	89.6	24.3	25.1
2400	3.2	2.9	0.3	89.8	23.9	24.8
2500	3.3	2.9	0.4	89.4	23.6	24.6
2600	3.4	2.9	0.5	89.6	23.4	24.7
2700	3.4	2.8	0.6	89.3	23.3	24.3
2800	3.5	2.8	0.7	89.3	23.0	23.9
2900	3.5	2.8	0.7	89.1	22.7	24.1
3000	3.6	2.9	0.7	88.6	22.5	24.8
3100	3.5	2.8	0.7	89.0	22.3	22.6
3200	3.5	2.9	0.6	88.3	22.2	22.0
3300	3.7	2.7	1.0	90.0	22.1	22.8
3400	3.4	3.0	0.4	88.6	22.0	22.5
3500	3.4	3.0	0.4	89.6	21.8	22.3
3600	3.6	3.5	0.1	87.5	21.7	21.3
3700	3.1	3.2	0.1	87.6	21.6	24.1
3800	3.2	3.1	0.2	88.3	21.4	21.3
3900	2.9	3.2	0.2	88.4	21.2	21.1
4000	2.9	3.5	0.5	91.1	21.2	20.9

## Outline Dimensions



Outline # OL-Q0204

Dimensions are in inches, [mm] shown for convenience.

Tolerances on 2-pl decimals:  $\pm .03$ . 3-pl decimals:  $\pm .015$ .

The information contained in this document is accurate to the best of our knowledge and representative of the part described herein. It may be necessary to make modifications to the part and/or documentation of the part, in order to implement improvements. Werbel Microwave LLC reserves the right to make such changes as required without notice. Unless otherwise stated, all specifications and dimensions are nominal. Werbel Microwave does not make any representation or warranty regarding the suitability of the part described herein for any particular purpose, and Werbel Microwave LLC does not assume any liability arising out of the use of any part of documentation. This document gives only a description of the product(s) and shall not form part of any contract. Please contact a Werbel Microwave LLC Applications Engineer for the most current specification drawing.