

Field-Replaceable, SMA-Female Connector for use with .019" Diameter Flat Tab DC to 27 GHz

Werbel Interconnect Technical Data Sheet

JC27-SF-.019

Description

Model JC27-SF-.019 from Werbel Microwave is a field-replaceable, four-hole SMA-Female connector for use with a .019" nominal diameter launch pin.



Photo is representative.

Specifications	Min.	Nom.	Max.	Units
Frequency	0		27,000	MHz
Impedance		50		Ohm
Package Quantity		10		pcs
VSWR	DC-18GHz	1.10		:1
	18-27GHz	1.15		
Input Power (CW) ¹			30	Watts

Mechanical

Connector Interface	Socket Contact
Operating Temperature ²	-55 to +100 °C
Storage Temperature	-55 to +100 °C
Weight Estimate	1.83 g
Humidity	10-90% non-condensing
Environment	Indoor Use Only

Materials

RoHS and REACH Compliant ³	
Body	Stainless Steel
Insulators	PTFE & PEI
Socket Contact	Beryllium Copper, Gold Plated
Finish	Passivated

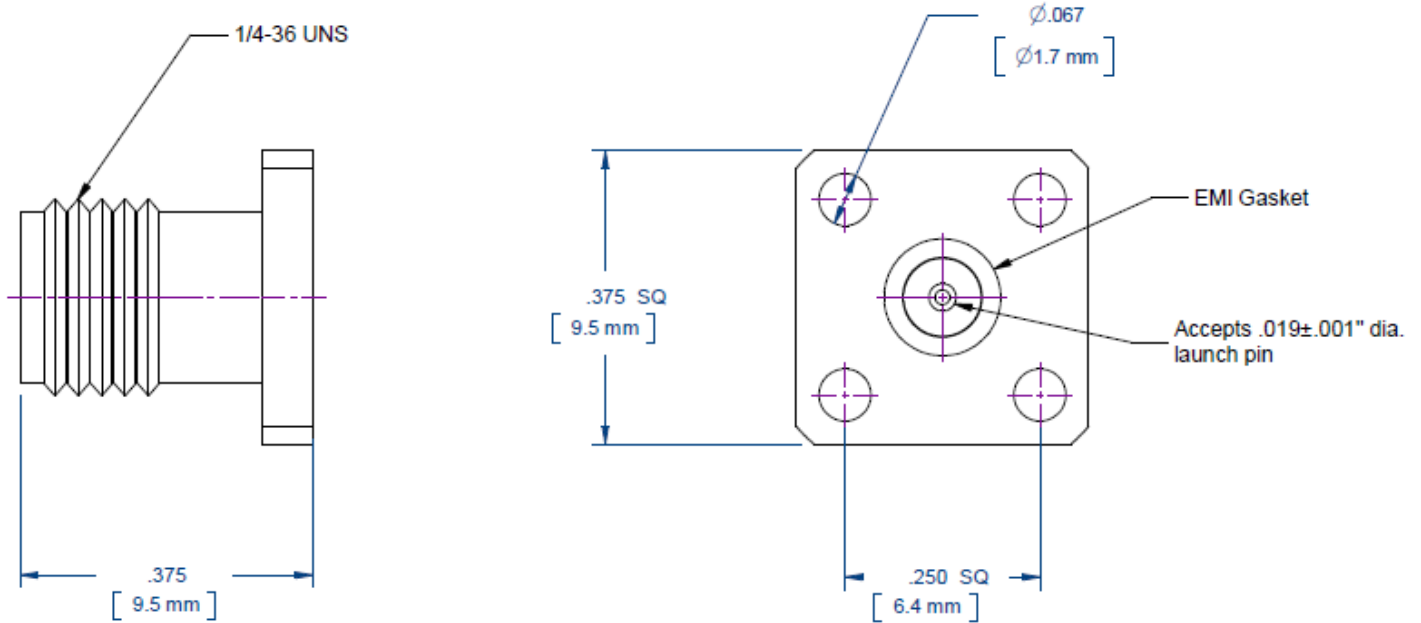
1. All output ports should be terminated in a 50-ohm load with 1.2:1 max VSWR.
2. Electrical Specifications at +25 °C only.
3. To the best of our knowledge at the time of publication.

Launch Pin (Required Accessory)

Model #:	JP27-.019
Description:	0.019" launch pin flat tab
Quantity:	100 pcs per bag



Outline Dimensions



Outline # J-SF-.019

Dimensions are in inches, [mm] shown for convenience.

Tolerances on 2-pl decimals: $\pm.03$. 3-pl decimals: $\pm .015$.

The information contained in this document is accurate to the best of our knowledge and representative of the part described herein. It may be necessary to make modifications to the part and/or documentation of the part, in order to implement improvements. Werbel Microwave LLC reserves the right to make such changes as required without notice. Unless otherwise stated, all specifications and dimensions are nominal. Werbel Microwave does not make any representation or warranty regarding the suitability of the part described herein for any particular purpose, and Werbel Microwave LLC does not assume any liability arising out of the use of any part of documentation. This document gives only a description of the product(s) and shall not form part of any contract. Please contact a Werbel Microwave LLC Applications Engineer for the most current specification drawing.