

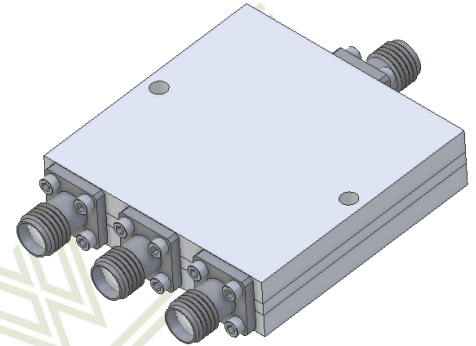
SMA 3-way Power Divider from 6 GHz to 18 GHz

D-3186

Description

Werbel Microwave designs and manufactures a wide selection of power dividers combiners splitters. These components are used in RF systems to combine multiple signals or split into multiple signals of equal magnitude and phase. Werbel Microwave offers designs of Wilkinson, resistive, ferrite and reactive technology and are among the highest performance in the industry.

The D-3186 is a 3-way Wilkinson divider that operates from 6 to 18 GHz and can handle up to 10 watts CW as a splitter. It is part of Werbel Microwave's catalog of splitters that offer a wide range of port count and frequency ranges.



Specification	Min	Typ.	Max	Units
Frequency	6		18	GHz
Impedance		50		Ohm
VSWR (common port)		1.36	1.8	:1
VSWR (split ports)		1.27	1.6	:1
Insertion Loss Measured at Highest Frequency (above theoretical coupling/splitting loss)		0.25	1.0	dB
Isolation	15	29		dB
Amplitude Balance		0.15	0.8	dB
Phase Balance		5.5	8	Degrees
Power Handling as Splitter into 1.2:1 max load VSWR			10	Watts (CW)

Mechanical

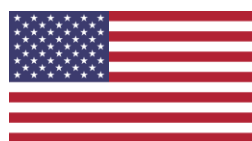
Connector Interface	SMA-Female
Operating Temperature*	-55 to +85 °C
Storage Temperature	-55 to +100 °C
Weight Estimate	2 oz (57 g)
Humidity	10-90% non-condensing
Environment	Indoors Use Only

Materials

RoHS Compliant

Enclosure	Aluminum
Connectors	Brass, Gold Plated
Contacts	Be Cu, Gold Plated
Insulators	PTFE
Finish	Clear Chem Film

* Design to meet based on materials. Production-tested at +25 °C. External heatsink and convection cooling recommended to maintain body temperature below +50 °C.



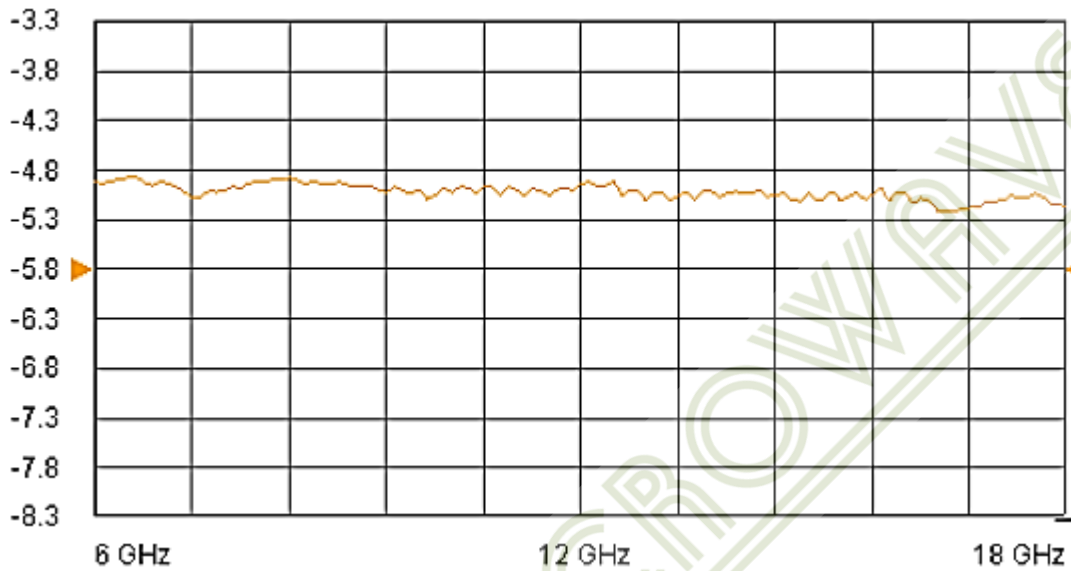
MADE IN USA

ISO 9001:2015

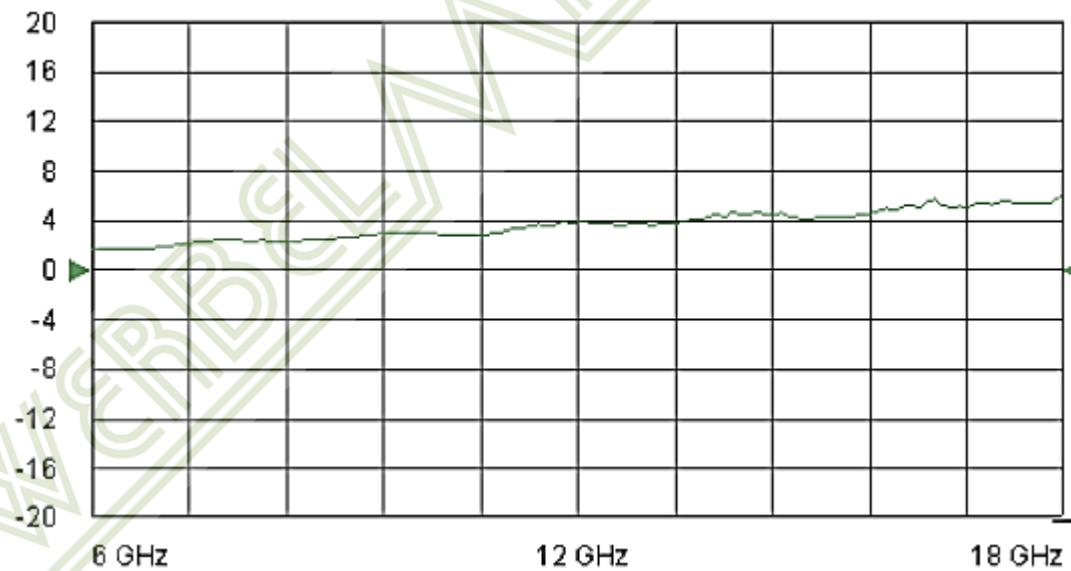
Certified Company

Typical Performance at +25 °C

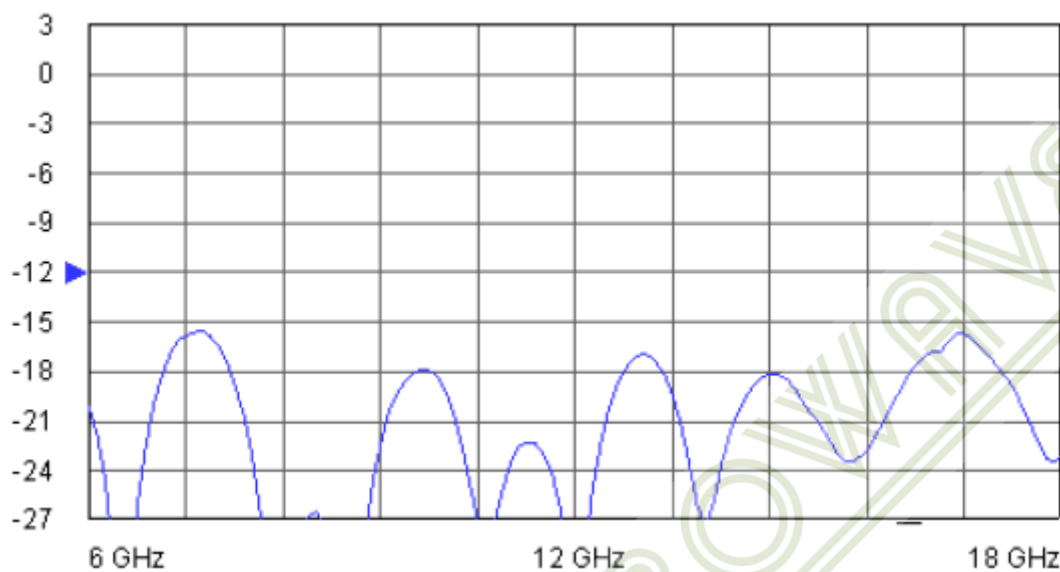
Insertion Loss



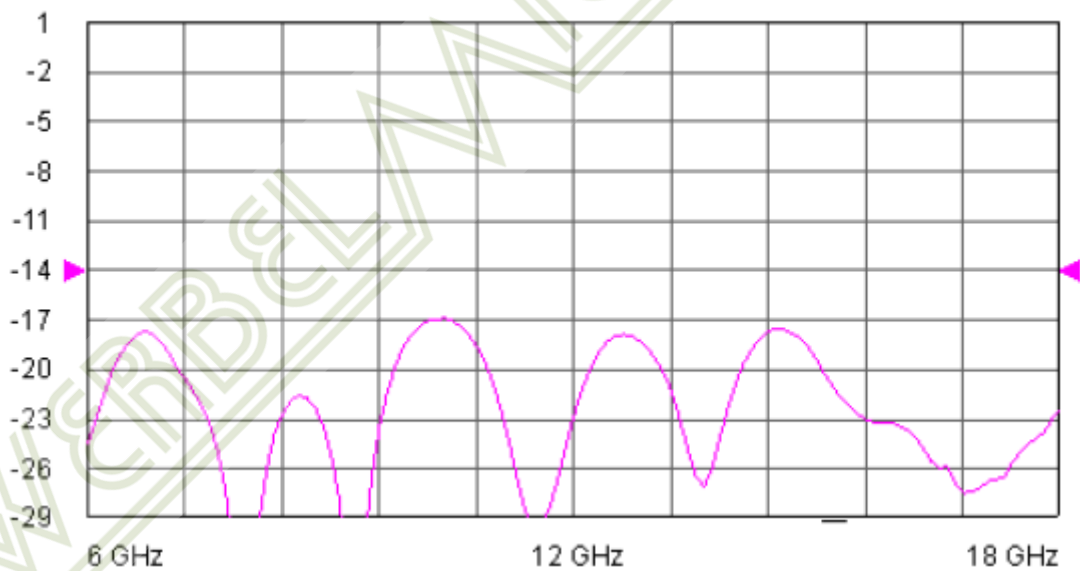
Phase



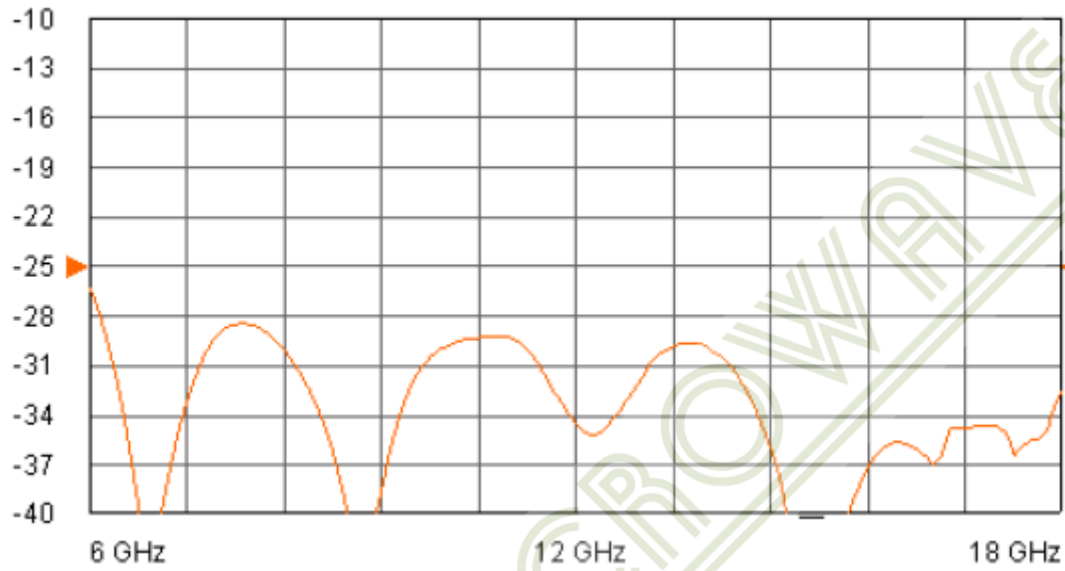
Return Loss Input



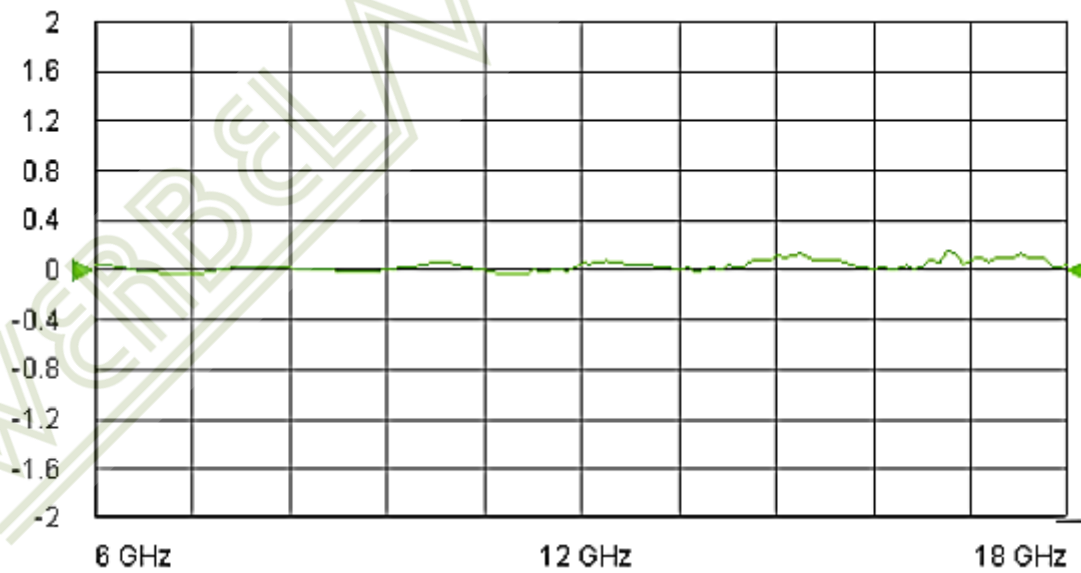
Return Loss Output



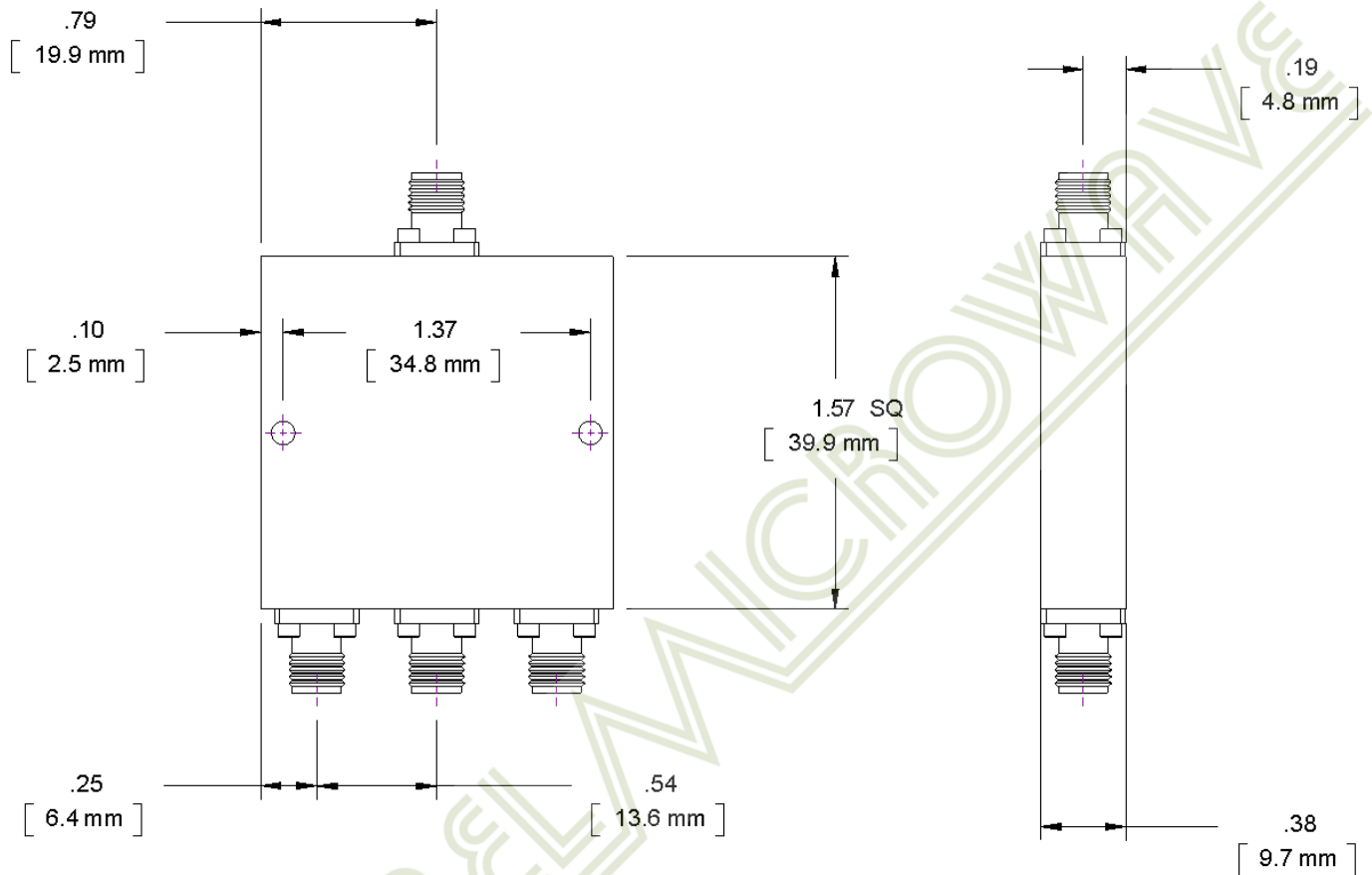
Isolation



Amplitude Balance



Outline Dimensions



Outline drawing: OL-3186

Dimensions are in inches, [mm] shown for convenience.

Tolerances on 2-pl decimals: $\pm .03$. 3-pl decimals: $\pm .015$.

The information contained in this document is accurate to the best of our knowledge and representative of the part described herein. It may be necessary to make modifications to the part and/or documentation of the part, in order to implement improvements. Werbel Microwave LLC reserves the right to make such changes as required without notice. Unless otherwise stated, all specifications and dimensions are nominal. Werbel Microwave does not make any representation or warranty regarding the suitability of the part described herein for any particular purpose, and Werbel Microwave LLC does not assume any liability arising out of the use of any part of documentation. This document gives only a description of the product(s) and shall not form part of any contract. Please contact a Werbel Microwave LLC Applications Engineer for the most current specification drawing.