

## Wideband Power Divider 2-way SMA Female from 2 to 18 GHz

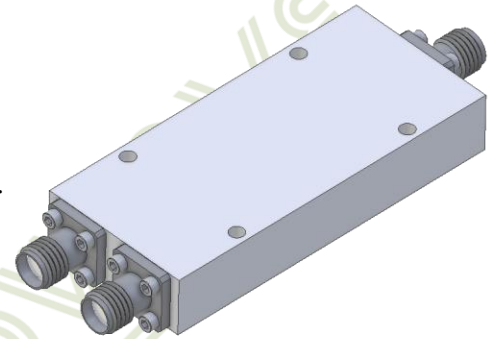
### 2-way SMA Power Divider from 2 GHz to 18 GHz

**D-2182**

#### Description

Model D-2182 from Werbel Microwave is a wideband 2-way in-line power splitter covering the continuous bandwidth of 2 to 18 GHz in a compact enclosure measuring 2.25 x 1.00 x 0.38 inches. The device is RoHS compliant.

A proven product since 2015, with several thousand units shipped to date.



Specification	Min	Typ.	Max	Units
Frequency	2		18	GHz
Impedance		50		Ohm
VSWR (common port)		1.35	1.70	:1
VSWR (split ports)		1.30	1.70	:1
Insertion Loss (above theoretical at 18 GHz)		0.5	1.0	dB
Isolation	16	18		dB
Amplitude Balance		0.1	0.6	dB
Phase Balance		2	6	Degrees
Power Handling as Splitter into 1.2:1 max load VSWR			30	Watts (CW)

#### Mechanical

Connector Interface	SMA-Female
Operating Temperature*	-55 to +85 °C
Storage Temperature	-55 to +100 °C
Weight Estimate	1.5 oz (43 g)
Humidity	10-90% non-condensing

#### Materials

##### RoHS Compliant

Enclosure	Aluminum
Connectors	Stainless Steel
Contacts	Be Cu, Gold Plated
Insulators	PTFE
Finish	Gray

\* Design to meet based on materials. Production-tested at +25 °C. External heatsink and convection cooling recommended to maintain body temperature below +50 °C.



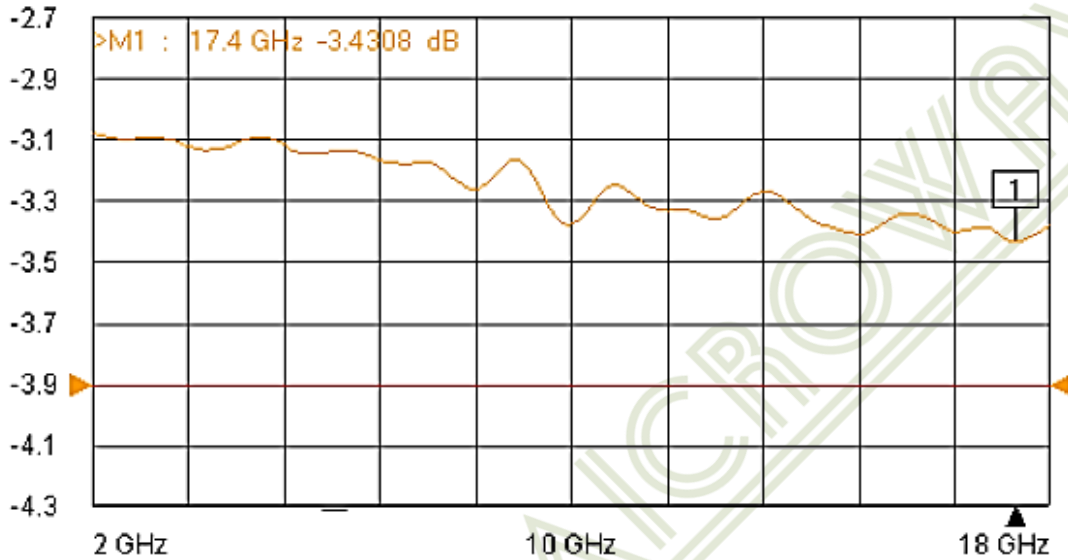
**MADE IN USA**

**ISO 9001:2015**

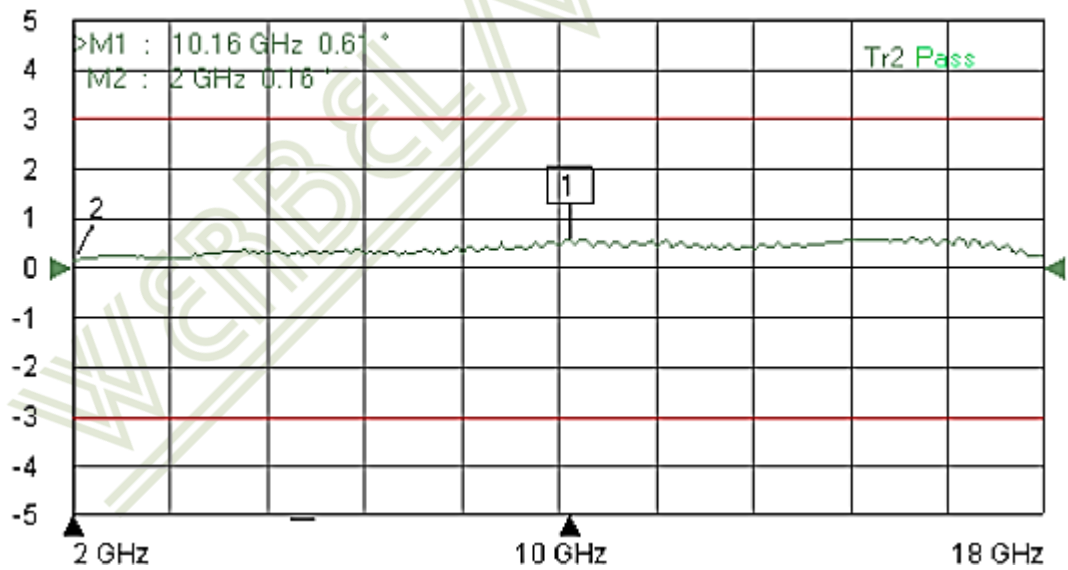
**Certified Company**

## Typical Performance at +25 °C

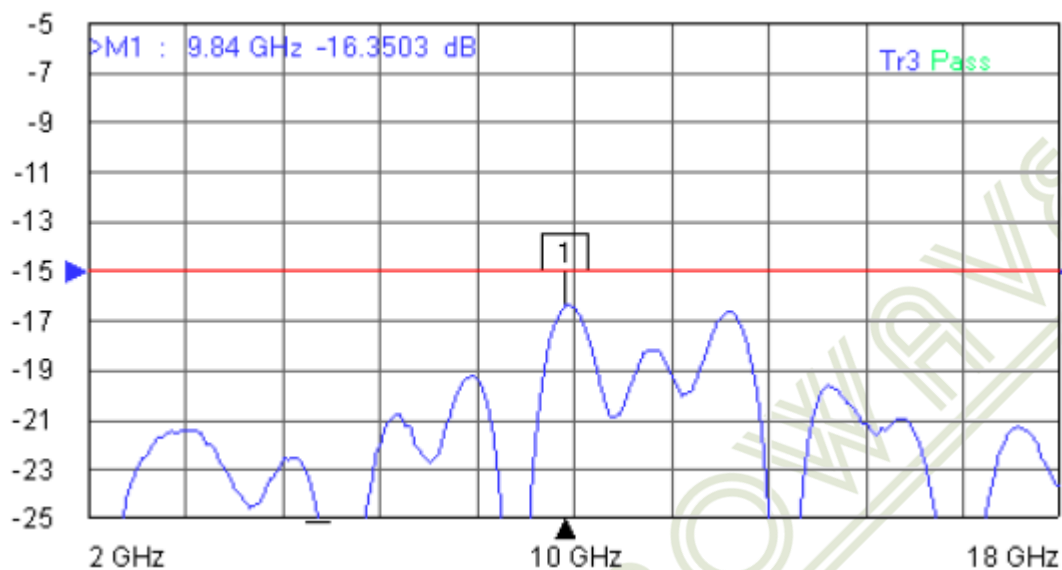
### Insertion Loss



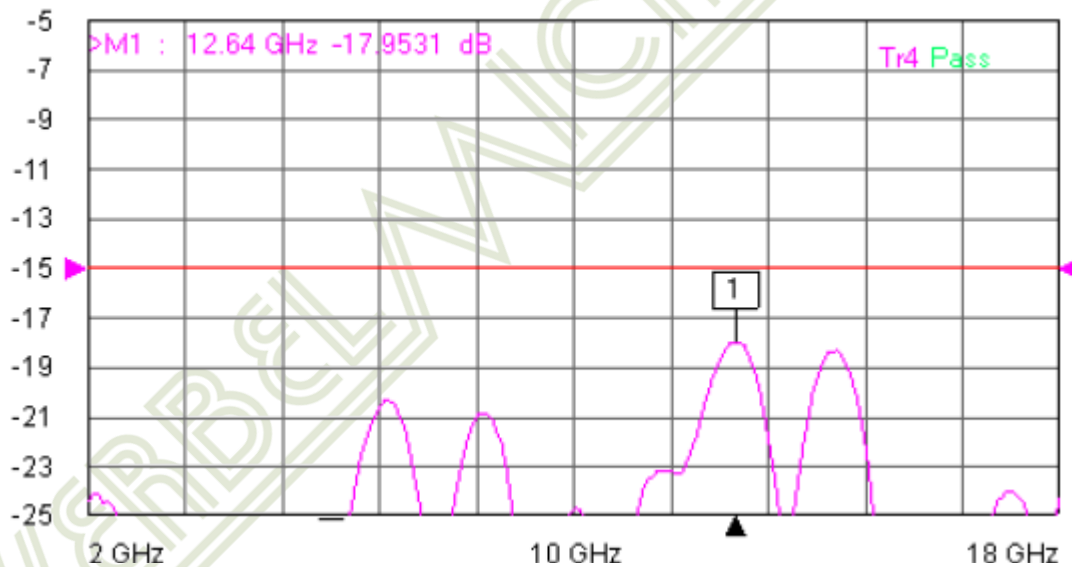
### Phase



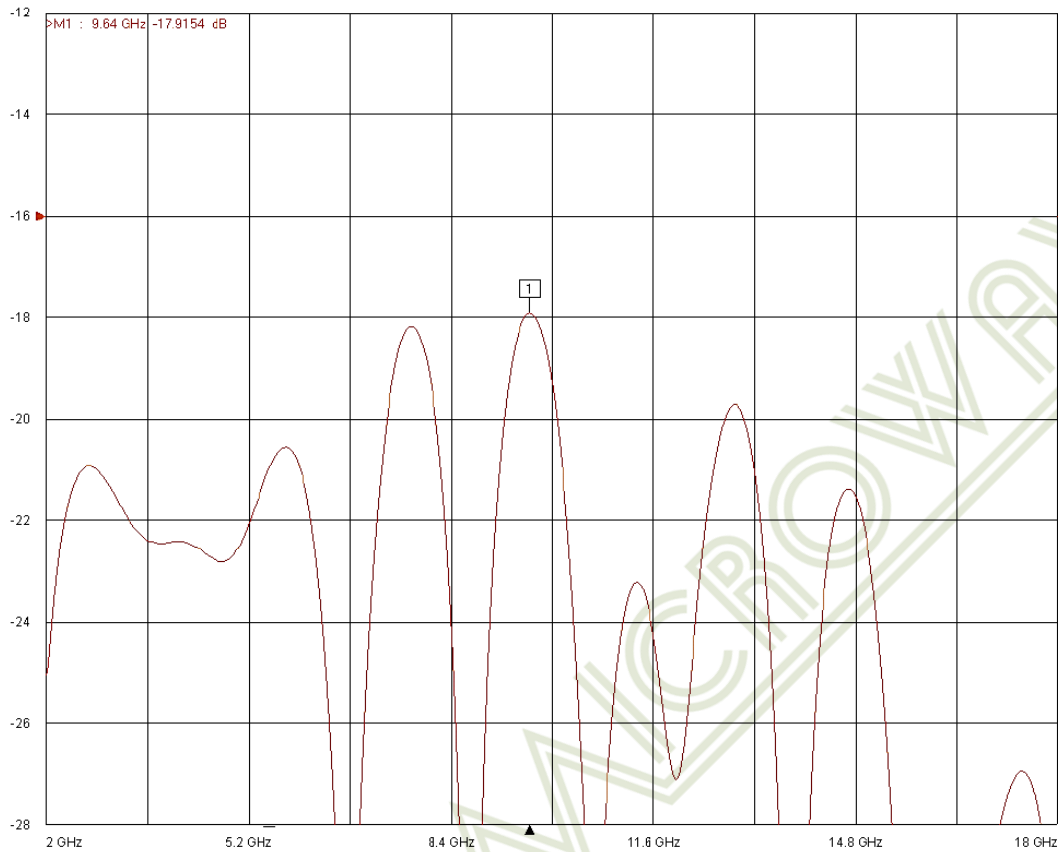
## Return Loss Input



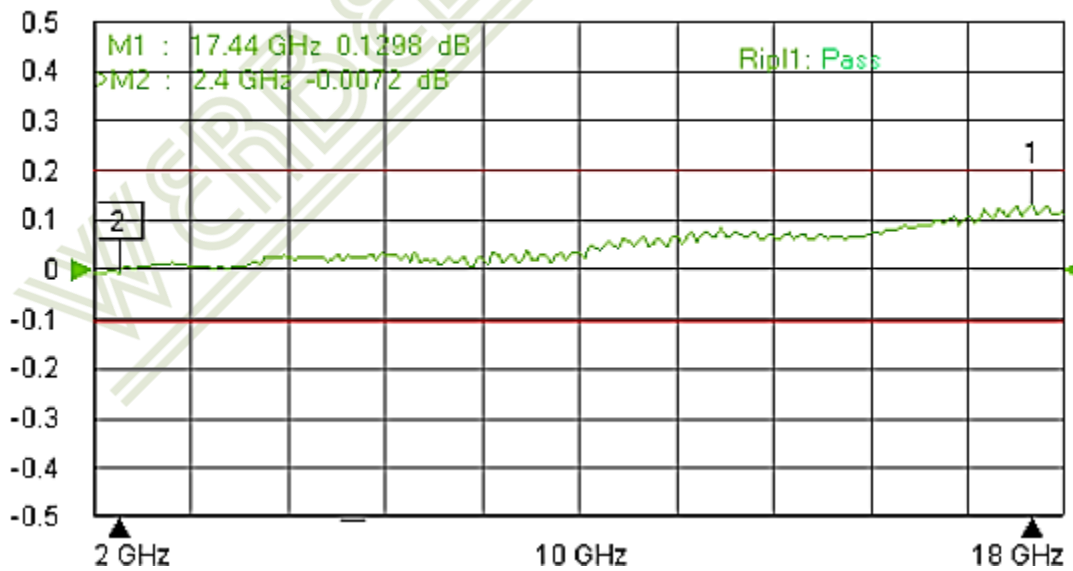
## Return Loss Output



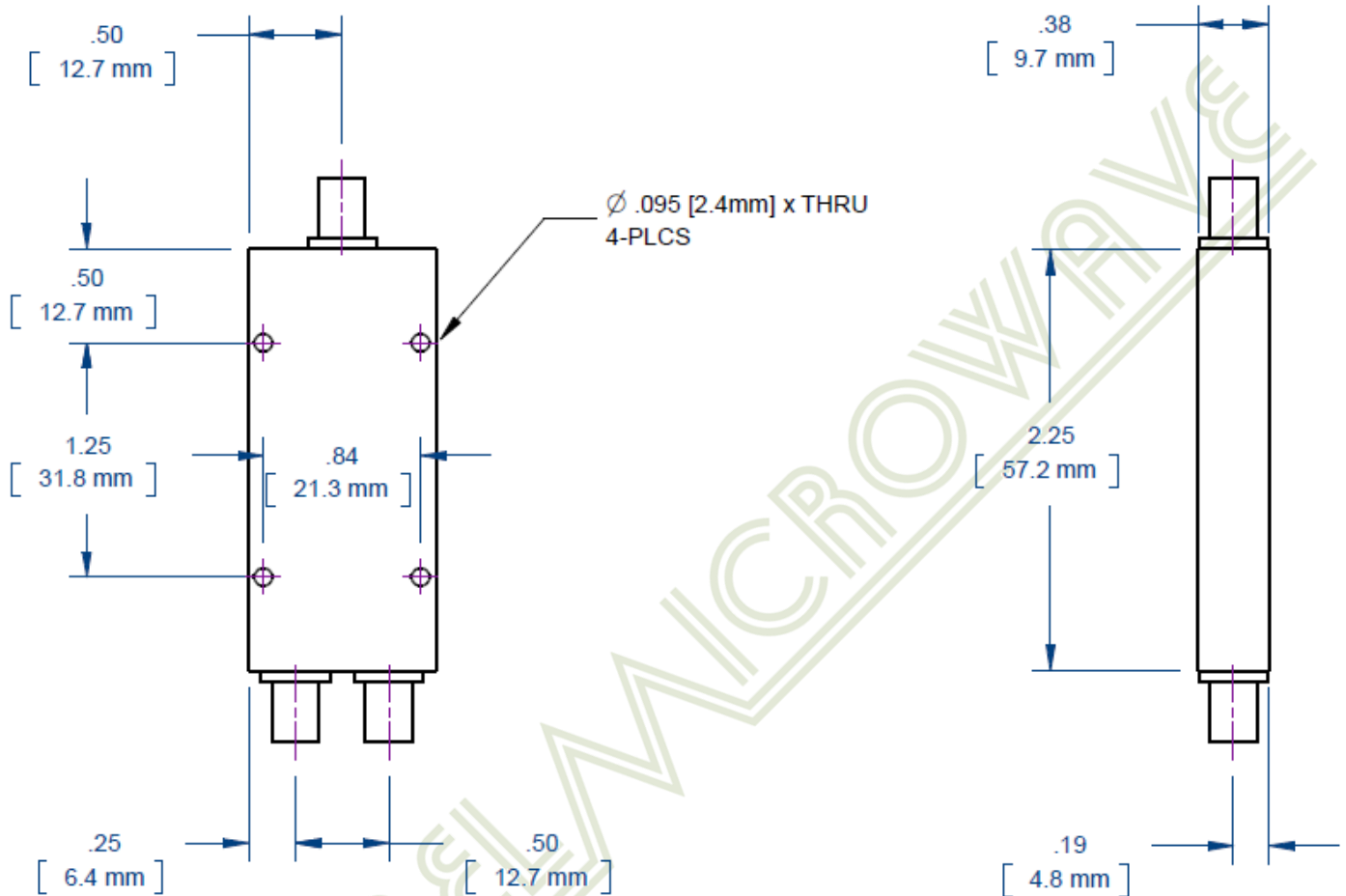
## Isolation



## Amplitude Balance



## Outline Dimensions



Outline drawing: OL-2182

Dimensions are in inches, [mm] shown for convenience.

Tolerances on 2-pl decimals:  $\pm .03$ . 3-pl decimals:  $\pm .015$ .

The information contained in this document is accurate to the best of our knowledge and representative of the part described herein. It may be necessary to make modifications to the part and/or documentation of the part, in order to implement improvements. Werbel Microwave LLC reserves the right to make such changes as required without notice. Unless otherwise stated, all specifications and dimensions are nominal. Werbel Microwave does not make any representation or warranty regarding the suitability of the part described herein for any particular purpose, and Werbel Microwave LLC does not assume any liability arising out of the use of any part of documentation. This document gives only a description of the product(s) and shall not form part of any contract. Please contact a Werbel Microwave LLC Applications Engineer for the most current specification drawing.