

High Power Dual Directional Coupler 40 dB N Female from 80 MHz to 1 GHz

Dual Directional Couplers Technical Data Sheet

C-5018-40

Description

Model C-5018-40 from Werbel Microwave is a dual 40 dB directional coupler that covers 80 MHz to 1 GHz with broadband flat coupling response, high directivity, and excellent return loss performance.



Photo is representative.

Specifications	L	M	H	Units
Frequency	80-130	130-520	520-1000	MHz
Impedance		50		Ohm
Coupling		40		dB, typ.
Frequency Sensitivity (Flatness)		± 3.5		dB, max.
Mainline Loss ¹	0.1	0.2	0.3	dB, max.
Directivity	25	20	18	dB, min.
Return Loss (In and Out)	21	21	21	dB, min.
Input Power (CW) ²	500	200	60	Watts

Mechanical

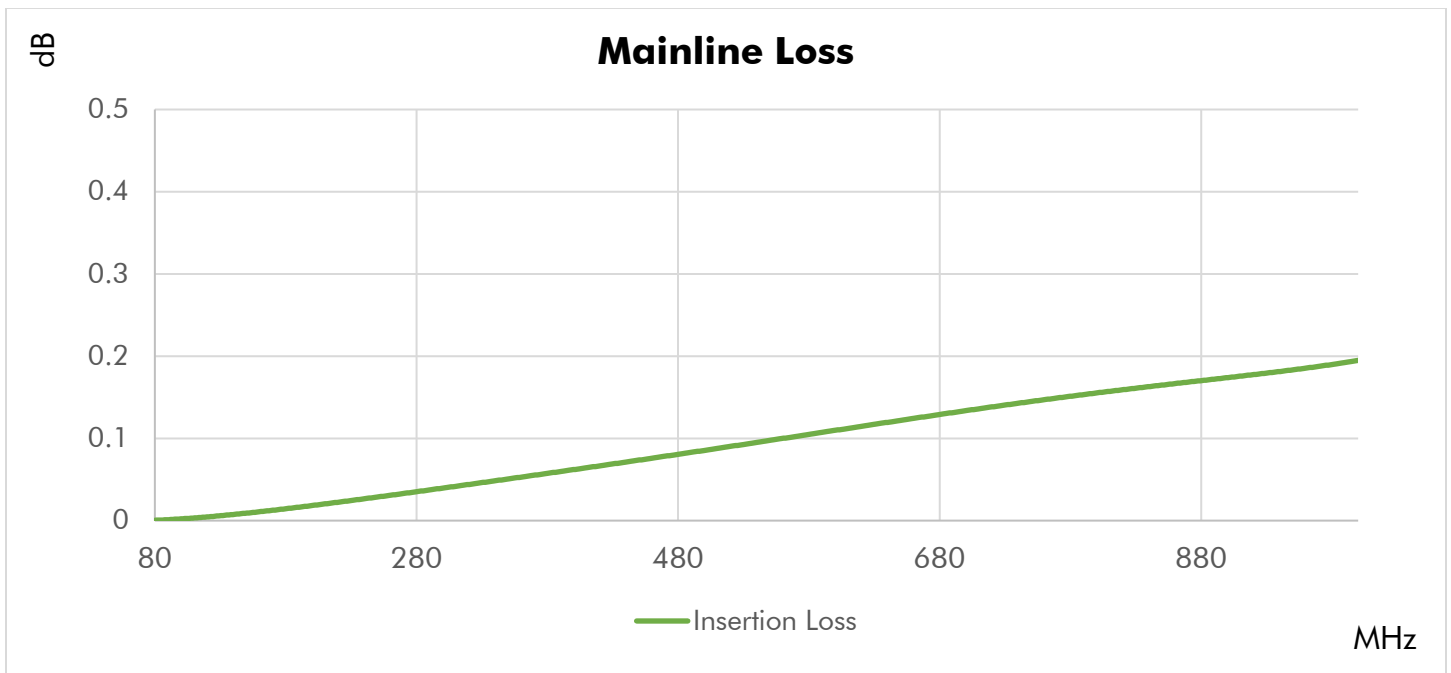
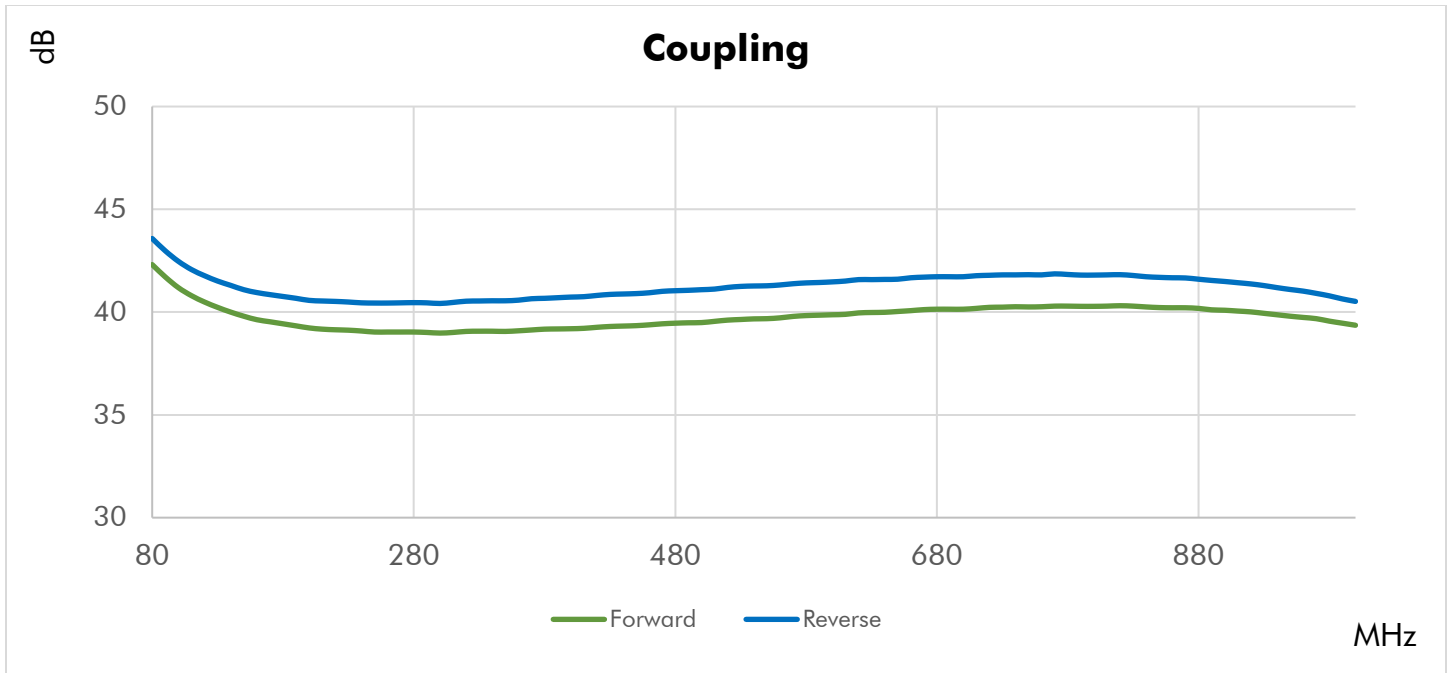
Connector Interface	SMA-Female
Operating Temperature ³	-55 to +85 °C
Storage Temperature	-55 to +100 °C
Weight	10.5 oz (298 g)
Humidity	10-90% non-condensing
Environment	Indoors Use Only

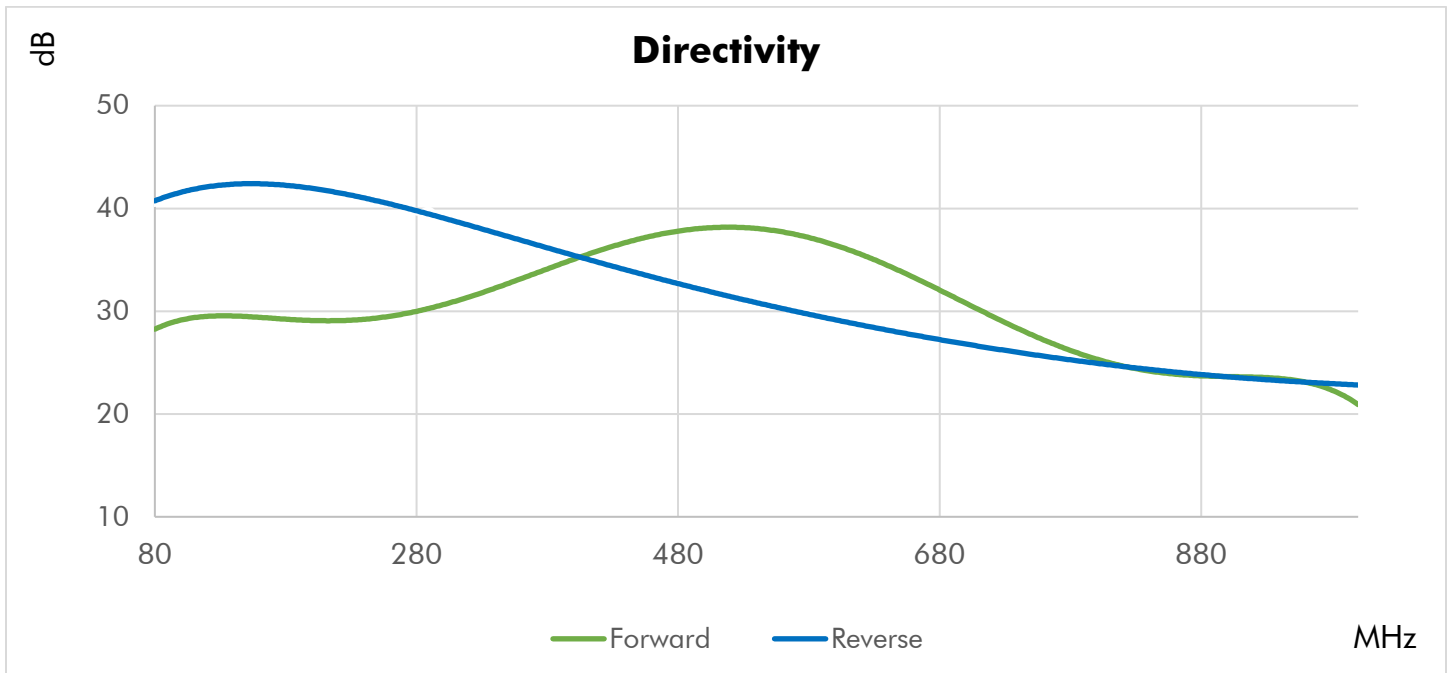
1. Mainline loss includes coupling loss.
2. All output ports should be terminated in a 50-ohm load with 1.2:1 max VSWR.
3. Electrical specifications at +25 °C only.
4. To the best of our knowledge at time of publication.

Materials

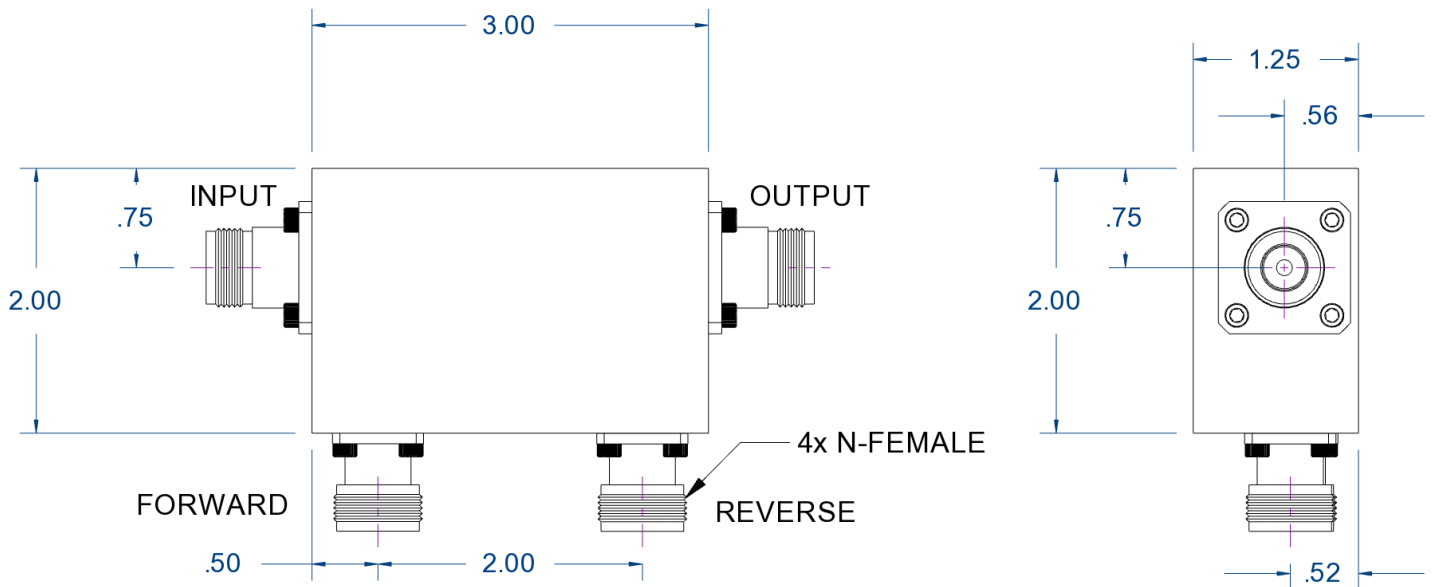
RoHS and REACH Compliant ⁴	
Enclosure	Aluminum
Connectors	Stainless Steel
Contacts	Be Cu, Gold Plated
Insulators	PTFE
Finish	Clear Conversion Film

Typical Performance at +25 °C

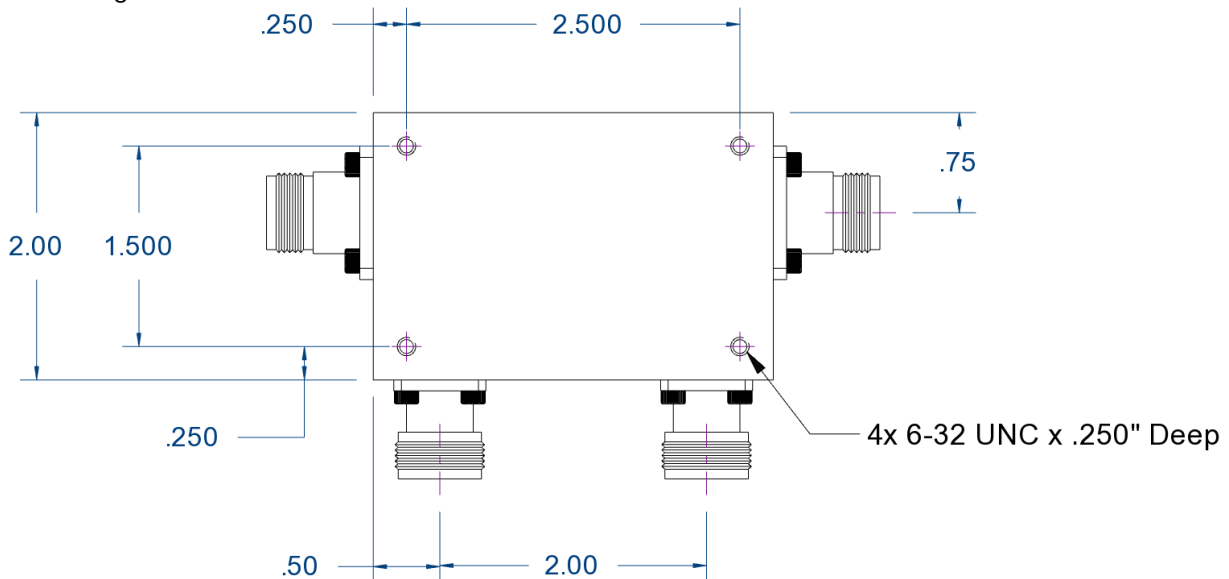




Outline Dimensions



Underside Mounting Holes:



Outline # OL-5018 rev A

Dimensions are in inches, [mm] shown for convenience.

Tolerances on 2-pl decimals: $\pm .03$. 3-pl decimals: $\pm .015$.

The information contained in this document is accurate to the best of our knowledge and representative of the part described herein. It may be necessary to make modifications to the part and/or documentation of the part, in order to implement improvements. Werbel Microwave LLC reserves the right to make such changes as required without notice. Unless otherwise stated, all specifications and dimensions are nominal. Werbel Microwave does not make any representation or warranty regarding the suitability of the part described herein for any particular purpose, and Werbel Microwave LLC does not assume any liability arising out of the use of any part of documentation. This document gives only a description of the product(s) and shall not form part of any contract. Please contact a Werbel Microwave LLC Applications Engineer for the most current specification drawing.