

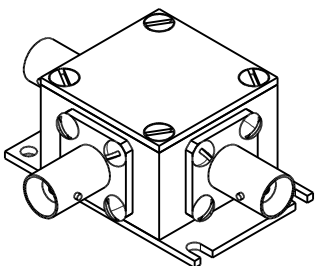
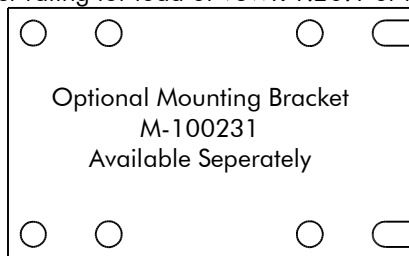
ALL DIMENSIONS IN INCHES UNLESS OTHERWISE SPECIFIED.
 ALL LENGTH DIMENSIONS TOLERANCE ± 0.010 " UNLESS OTHERWISE SPECIFIED.
 ALL DIAMETER DIMENSIONS TOLERANCE ± 0.005 " UNLESS OTHERWISE SPECIFIED.
 PROPERTY OF WERBEL MICROWAVE LLC

MATERIAL: ALUMINUM 6061-T6.
 FINISH: GREY ACRYLIC PAINT.

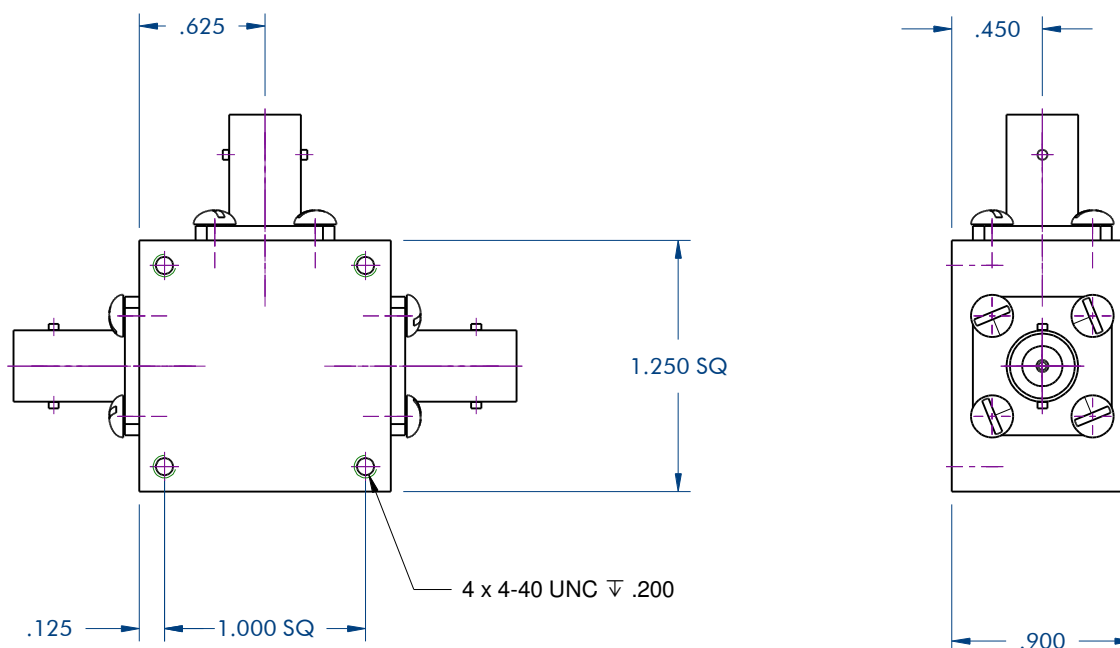
SPECIFICATIONS

Frequency Range	1 MHz CW
Insertion Loss	0.3 dB, max.
Maximum Splitting Power	1 Watt avg, max.
Maximum Comb'g Power	1 Watt avg, max.
VSWR (Sum Port)	1.20:1, max.
VSWR (Output Ports)	1.20:1, max.
Isolation	25 dB, min.
Phase Balance	2-deg, max.
Amplitude Balance	0.1 dB, max.
Operating Temperature	-40 to +65 °C (Tested at +25°C)
Operating Environment	Indoor use only.
R.F. Interface	BNC-Female, 50-ohm

Power rating for load of VSWR 1.20:1 or better.



REVISIONS				
ZONE	REV	DESCRIPTION	DATE	APPROVED
	0	Initial release.	9/16/2015	E. Werbel



WERBEL MICROWAVE, LLC

622 State Hwy 10 West, Unit 9
 Whippany, N.J. 07981

Tel. (973) 515-3001
 Fax. (973) 515-3004

sales@werbelmicrowave.com

www.WerbelMicrowave.com

DRAWN

E. Werbel

CHECKED

QA

MFG

APPROVED

DATE

9/16/2015

WERBEL MICROWAVE

Power Divider 1 MHz, 2-Way, 1W, BNC-Female

SIZE A	CAGE CODE 78YZ0	DWG NO. 2PB1M (WMPD02-0.001-B)	REV 0
SCALE 1/1	SHEET 1 of 1		