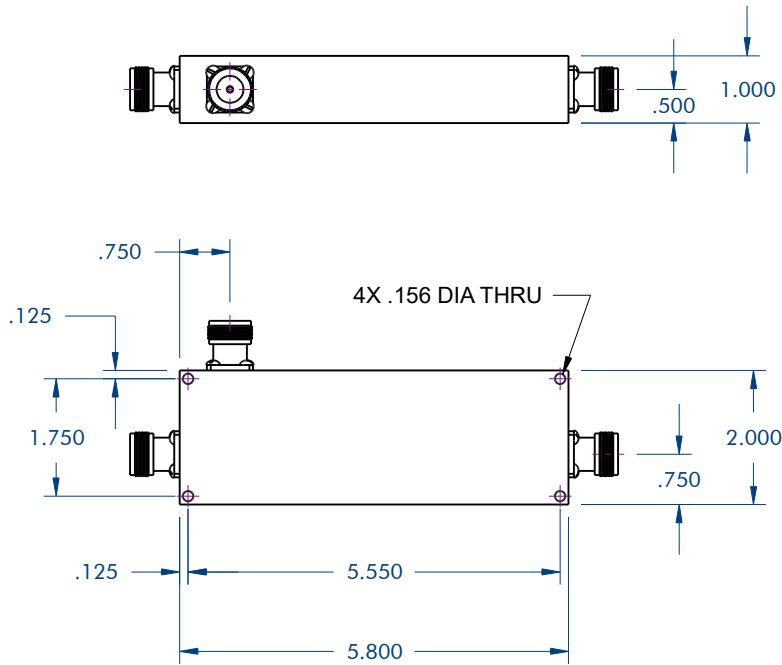
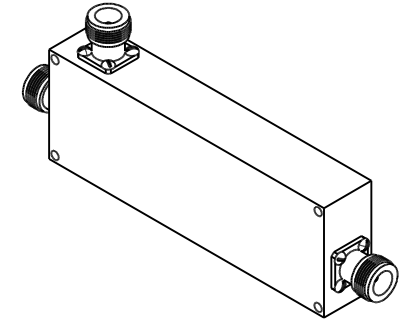


CONNECTOR CONFIGURATIONS
Customizeable N or SMA Female.

P/N	Mainline	Coupled
1CN3827-DB	N-Female	N-Female
1CNS3827-DB	N-Female	SMA-Female
1CS3827-DB	SMA-Female	SMA-Female



SKU-dB	Cpl'g Tolerance	Cpl'g Flatness	Directionality	Ins'n Loss	Forward Power
1CN3827-05	± 1.00	± 1.25	18 dB min 20 dB typ	2.5	45
1CN3827-06				1.9	60
1CN3827-07				1.7	75
1CN3827-10			0.9	100	
1CN3827-15	± 1.25	± 1.25	20 dB min 22 dB typ	0.7	150
1CN3827-20	± 1.50	± 1.50		0.5	
1CN3827-30				0.4	

ELECTRICAL SPECIFICATIONS

Frequency Range	380 ~ 2700	MHz
Coupling Tolerance	SEE TABLE	dB, Nom'l.
Flatness (Sensitivity)	SEE TABLE	dB, Max.
Directionality	SEE TABLE	dB, Min.
Main Line Insertion Loss	SEE TABLE	dB, Max.
Main Line VSWR	1.35	:1, Max.
Coupled Port VSWR	1.35	:1, Max.
Forward Average Power	SEE TABLE	Watts, Max.

Impedance	50	Ω, Nom'l.
Passive Intermodulation	-150 dBc	BY DESIGN ONLY

MECHANICAL SPECIFICATIONS

R.F. Interface	N or SMA Female Customizeable
Operating Temperature	-40 ~ +85 °C (Tested at +25°C)
Environment	Indoor use only.
Humidity	95%, Non-Condensing
Weight	1.14 lb. Nom'l.

WERBEL MICROWAVE

622 State Hwy. 10 West, Unit 9, Whippany, New Jersey, 07981
Sales@WerbelMicrowave.com

Tel. (973) 515-3001 ~ FAX (973) 515-3004
http://www.WerbelMicrowave.com CAGE Code: 78YZ0

1CN3827-dB

Connectors	Albaloy
Contact Pins	Beryllium Copper, Silver Plate
Insulators	PTFE
Housing	Aluminum, RoHS Chemical Conversion
Finish	Clear Chemical Conversion Film

DAS Directional Coupler

REV	DESCRIPTION	ENG.	DATE
0	Engineering release.	ETW	1/24/2017
1	ECN 1145.	ETW	6/30/2017
2	ECN 1181.	ETW	8/11/2017

Input power is rated for load VSWR of 1.20:1, max. Insertion loss excludes coupling/split loss.
All dimensions in inches with tolerance ± .010" and are typical unless otherwise specified.
Specifications are subject to change without notice. This document shall not form part of any contract.